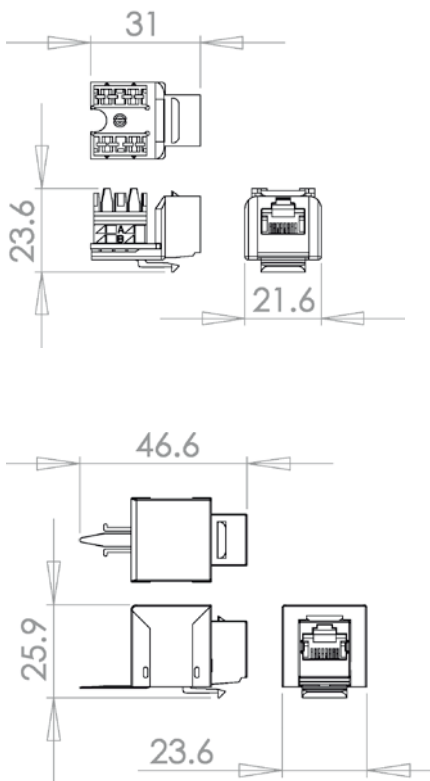




Brand-Rex Copper Connectivity - 10GPlus Jacks

Augmented Category 6 Snap-In-Jacks



PRODUCT DESCRIPTION:

The Brand-Rex 10GPlus Snap-In-Jack offers true Class EA component performance using a patented contact array design. The 10GPlus system is classified as an Augmented Category 6 and Class EA product set that is fully backwards compatible to Category 6 (Class E) and Category 5e (Class D) products. The jack is also fully compatible with all our UK and Continental style faceplates and products.

PRODUCT CHARACTERISTICS:

Outlet Style: Unshielded and shielded Keystone type with RJ-45 ports

Cable Entry: Top and Rear

Hole Plate Thickness: Jack will clip into sheet material with a thickness of 1.6mm max.

Body Material: High impact PBT UL94 - VO

Jack Contacts: Phosphor Bronze

Plating: 50 µm gold over 100 µm of nickel

Punch Down Blocks: LSA style IDC

IDC Contacts: Phosphor Bronze

Wiring Standard: EIA/TIA 568A/B

Conformance: Category 6A
ANSI/EIA/TIA 568C
ISO/IEC 11801 : 2002 & amm1
EN50173-1 : 2007

Product Part Numbering

	Catalogue Number	Colour	Qty per Pack
10GPlus Unshielded Snap-in-jack	AC6JAKUOK2	Black	12
10GPlus Unshielded Snap-in-jack	AC6JAKUOK3	White	12
10GPlus Shielded Snap-in-jack	AC6JAKFOK2	Metallic	12