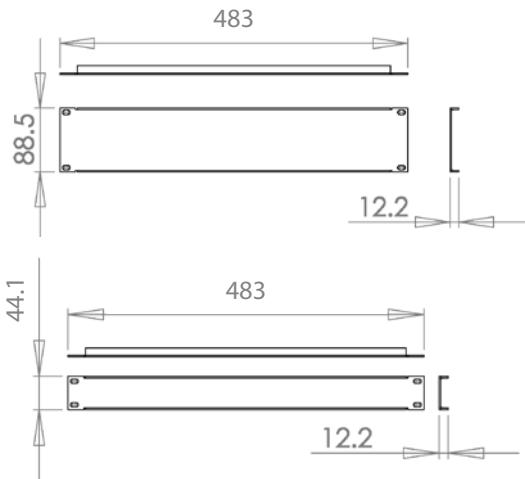




**Brand-Rex Copper Connectivity - Blank Panels**



**PRODUCT DESCRIPTION:**

1U and 2U blank panels are used to complete any installation in a cabinet. Designed to complement the Brand-Rex range of patch panels, they provide a more aesthetically pleasing finish and offer improved user safety.

**PRODUCT CHARACTERISTICS:**

**1U Rack Mounted**

Panel Width: 19" (483mm)  
 Panel Height: 1U (44.1mm)  
 Panel Depth: 12.50mm  
 Colour: RAL 9005 Black or RAL 7035 Grey  
 Material: 2.5mm Mild Steel

**2U Rack Mounted**

Panel Width: 19" (483mm)  
 Panel Height: 2U (88.5mm)  
 Panel Depth: 12.50mm  
 Colour: RAL 9005 Black or RAL 7035 Grey  
 Material: 2.5mm Mild Steel

**Product Part Numbering**

	Black	Grey
1U Rack Mounted Blank Panel	MMCACCCM004	MMCACCCM104
2U Rack Mounted Blank Panel	MMCACCCM005	MMCACCCM105