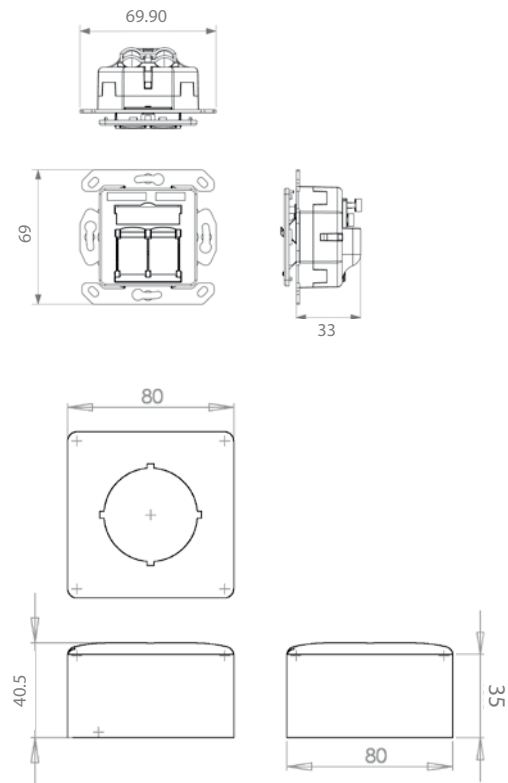


**Brand-Rex Copper Connectivity - Cat6Plus Outlets**

Category 6 European Style Outlet



**PRODUCT DESCRIPTION:**

The Brand-Rex combined shielded outlet and RJ-45 socket has the same proven Category 6 performance as our Cat6Plus panels. Primarily designed for mounting into duct or trunking using a 45mm diameter hole, the outlet can be either flush or wall mounted by using the 80 x 80mm continental styled faceplate and 33mm back box.

**PRODUCT CHARACTERISTICS:**

- Outlet Style: Shielded Keystone type with unkeyed RJ-45 ports
- Cable Entry: Horizontal and Vertical
- Colour: RAL 1013 Ivory  
RAL 9010 White
- Body Material: High impact PPO UL94 - VO  
Zinc Alloy Diecast closed housing
- Jack Contacts: Phosphor Bronze
- Plating: 50 µm gold over  
100 µm of nickel
- Punch Down Blocks: LSA style IDC
- IDC Contacts: Phosphor Bronze
- Wiring Standard: EIA/TIA 568A/B
- Conformance: ISO/IEC 11801 : 2002 & amm1,  
EIA/TIA 568B.2.1 : 2002  
and EN50173-1 : 2007

**Product Part Numbering**

	White	Ivory
1 Way Shielded Outlet	18870NB	18870NA
2 Way Shielded Outlet	18879NB	18879NA
80mm x 80mm Faceplate and Back Box	07058GF	07058GE